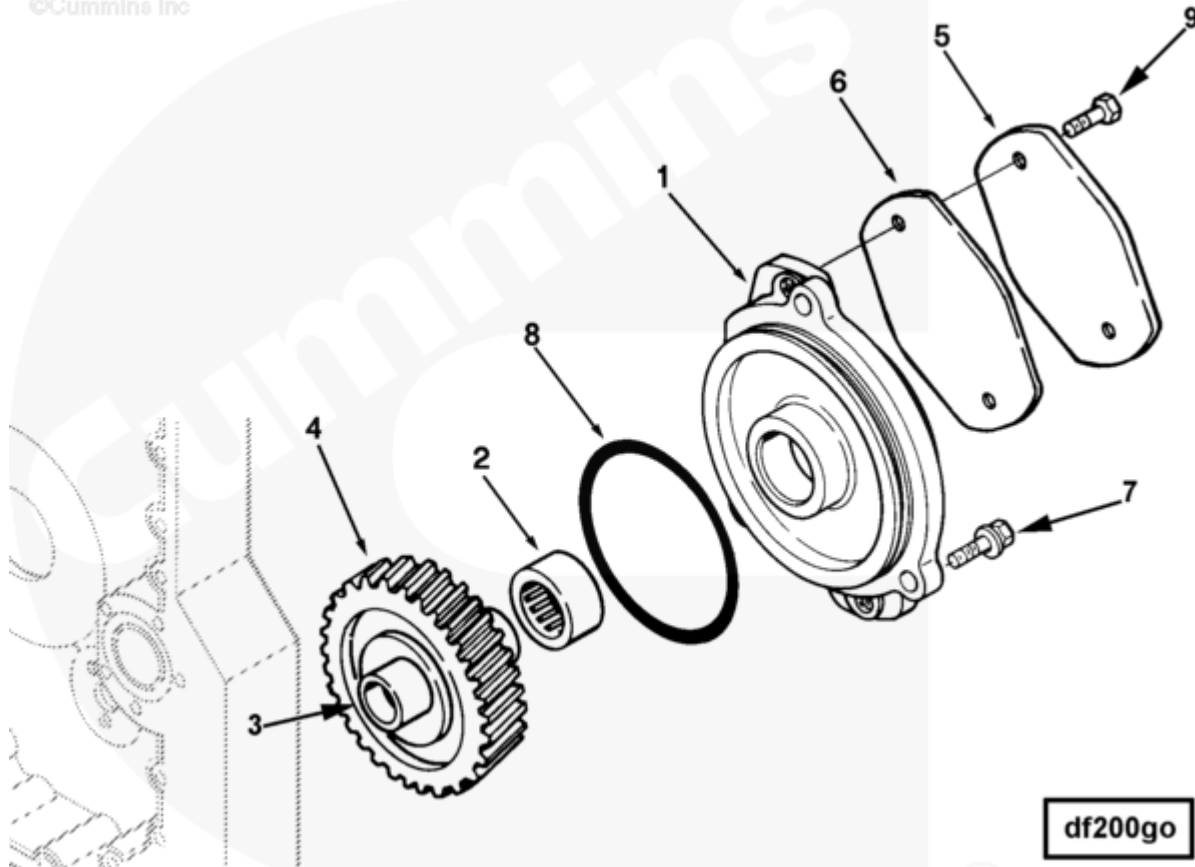




Parts Catalog - Option Detail

Electronic Parts Catalog - Option Detail				
Option	Group	Graphic	Film Card	Date
DF2032-02	09.04	df200go	II	13-JUN-97
Engines	ISM CM570, ISM CM570/870, ISM CM875, ISM CM876, ISM CM876 E, ISM11 CM876 M103, ISM11 CM876 SN, M11 CELECT, M11 CELECT PLUS, M11 MECHANICAL, QSM11 CM570, QSM11 CM876			

©Cummins Inc



[SMALL](#) | [MEDIUM](#) | [LARGE](#)

Cart	Ref No	Part Number	Part Description	Required	Remarks
View My Cart					
		DF2032-02	Front Gear Train		
					Front Gear Train
					Front Gear Train Accessory
					Drive
					Accessory Drive Provision:
					Cummins Supplied

					Pump Spline: 13 Tooth
					Adapter Flange Size: SAE "B"
					Pump Orientation: 22.5 Deg
					Toward or Away from Block
					Max Torque Capability:
					209.132mm (154 lb ft)
					This Option Does Not Supply
					Hydraulic Pump Tail Support
<input type="checkbox"/>		3820755	Hydraulic Pump Support	1	
<input type="checkbox"/>	1	3893988	Hydraulic Pump Adapter	1	
<input type="checkbox"/>	2	3025354	Needle Bearing	1	
<input type="checkbox"/>		3028420	Hydraulic Pump Gear	1	
<input type="checkbox"/>	3	3025320	Spline Adapter	1	
	4	3161567	Hydraulic Pump Gear	1	
<input type="checkbox"/>	5	3914868	Cover Plate	1	
<input type="checkbox"/>	6	3008400	Hydraulic Pump Gasket	2	
<input type="checkbox"/>	7	3161093	Captive Washer Cap Screw	3	M10 x 1.50 x 35
<input type="checkbox"/>	8	3883042	O-Ring Seal	1	
<input type="checkbox"/>	9	3903200	Hexagon Head Cap Screw	2	M12 x 1.75 x 25